

STOCKER-CREW

A trading division of ALVECO PTY.LTD. (ABN: 40 074 146 535)

Postal Address: PO Box 203, Warners Bay, NSW 2282





Telephone: (02) 4954 8900

Fax: (02) 4954 8902

alveco@ceinternet.com.au



USE: Light machine for mini-tractors. Suitable for greens, gardens, parks, etc. The machine can work in many positions.

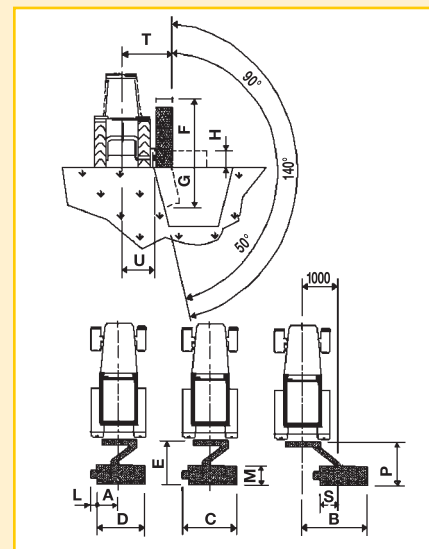
MODEL	A cm	B cm	C cm	D cm	E cm	F cm	G cm	H cm	L cm	M cm	P cm	S cm	T cm	U cm	 max Ø 1.5 cm		 Kg	 min - max
ENERGY 130	72	186	140	132	104	140	69	30	8	52	130	47	123	73	64	3	210	15 - 25
ENERGY 155	72	209	163	155	104	163	85	30	8	52	130	47	123	73	80	3	230	15 - 25

STANDARD EQUIPMENT

- PTO 540 RPM
- PTO SHAFT
- SAFETY AND SELF LEVELLING
- BREAKWAY COUPLING
- FRONT SAFETY PROTECTION
- ROLLER
- HYDRAULIC SIDE ADJUSTMENT
- HYDRAULIC INCLINATION ADJUST.
- GEARBOX W/FREE WHEEL
- SKIDS



ENERGY 155



ENERGY 130



ENERGY 155



ENERGY 130



OPTIONAL:
ROTOR WITH LIGHT
HAMMER