

farmer

139 | 169 | 209 | 239 | 259

STOCKER-CREW

A trading division of ALVECO PTY.LTD. (ABN: 40 074 146 535)

Postal Address: PO Box 203, Warners Bay, NSW 2282

Telephone: (02) 4954 8900

Fax: (02) 4954 8902

alveco@ceinternet.com.au



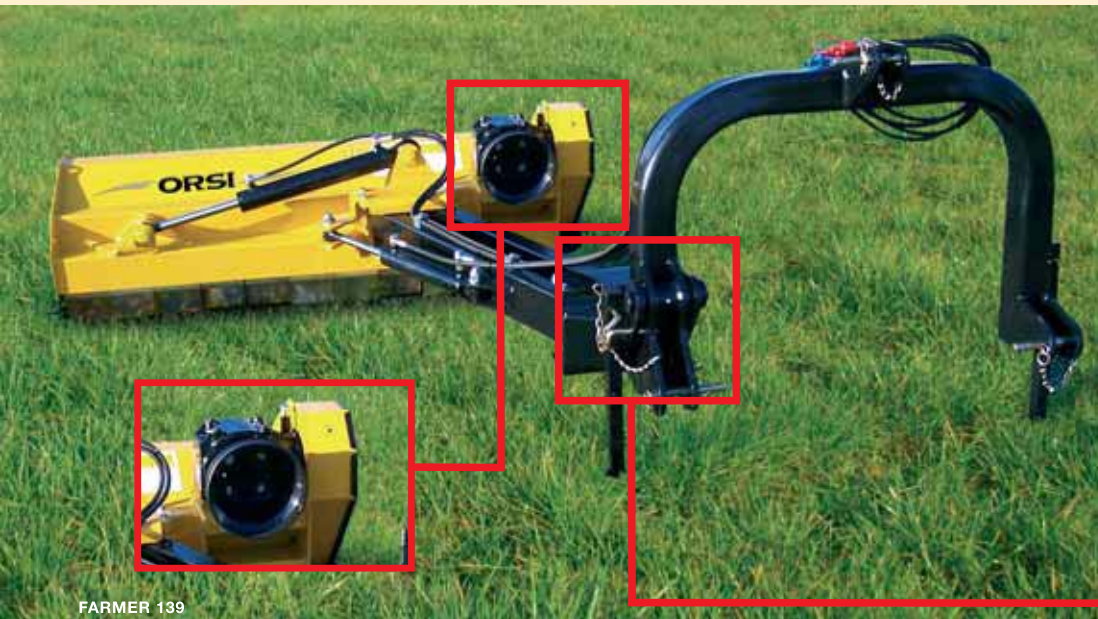
USE: Suitable for cleaning quay and side of ditches.

MODEL	A cm	B cm	C cm	D cm	E cm	F cm	G cm	H cm	L cm	M cm	P cm	S cm	T cm	U cm					
FARMER 139	85	216	151	135	161	220	95	58	16	71	193	47	150	90	40	20	4	465	25 - 40
FARMER 169	85	231	178	162	161	247	122	58	16	71	193	47	150	90	48	24	4	495	30 - 50
FARMER 169 SUPER *	85	231	178	162	161	247	122	58	16	71	193	47	150	90	-	16	4	535	30 - 50
FARMER 209	85	271	208	192	161	277	152	58	16	71	193	47	150	90	56	28	4	540	35 - 60
FARMER 209 SUPER *	85	271	208	192	161	277	152	58	16	71	193	47	150	90	-	20	4	590	35 - 60
FARMER 239	85	291	235	220	161	305	180	58	16	71	193	47	150	90	64	32	4	595	50 - 70
FARMER 259	85	321	268	253	161	337	210	58	16	71	193	47	150	90	80	40	4	660	60 - 70

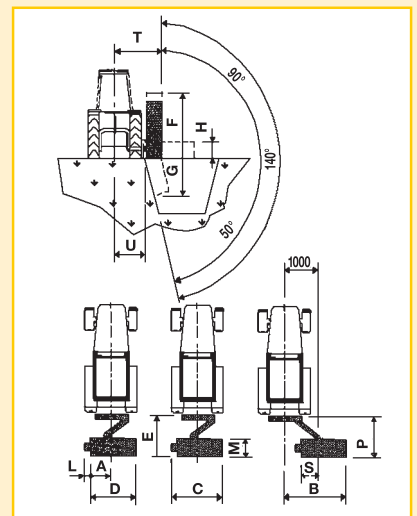
STANDARD EQUIPMENT

- PTO 540 RPM
- PTO SHAFT
- SELF LEVELLING LINK
- DOUBLE FRAME
- REAR OPENED BONNET
- FRONT SAFETY PROTECTION
- ROLLER Ø 140 mm
- HYDR. SIDE ADJUSTMENT
- HYDR. INCLINATION ADJUSTMENT
- GEARBOX W/FREE WHEEL
- SWINGING BEARING
- W/DOUBLE SPHERE
- LINKAGE CAT. II

- * REINFORCED ROTOR SUPPORT
- * REINFORCED KNIFE SUPPORT



FARMER 139



SELF LEVELLING LINK



OPTIONAL:
LINKAGE CAT. I



FARMER 169



FARMER 259



FARMER 239



OPTIONAL:
DOUBLE W/CONSTANT VELOCITY JOINT



OPTIONAL:
SKIDS



OPTIONAL:
OLEOPNEUMATIC ANTI-SHOCK DEVICE