

# farmer off-set

## STOCKER-CREW

A trading division of ALVECO PTY.LTD. (ABN: 40 074 146 535)

Postal Address: PO Box 203, Warners Bay, NSW 2282

Telephone: (02) 4954 8900

Fax: (02) 4954 8902

alveco@ceinternet.com.au



139 | 169 | 209 | 239

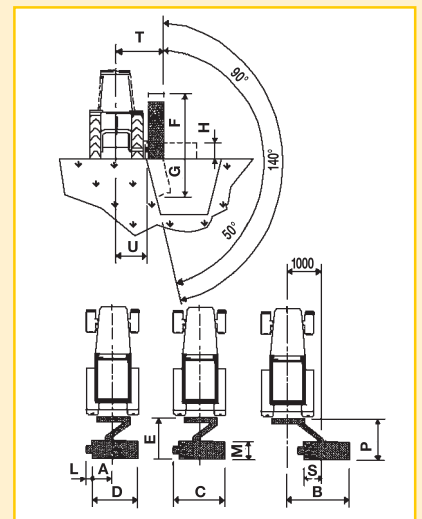
USE: Suitable for cleaning quay and site of ditches.

MODEL	A cm	B cm	C cm	D cm	E cm	F cm	G cm	H cm	L cm	M cm	P cm	T cm	U cm	max Ø 3 cm	max Ø 4 cm		Kg	min - max
FARMER 0-S 139	26	230	175	135	161	244	135	56	40	71	193	150	90	40	20	4	485	25 - 40
FARMER 0-S 169	26	260	202	162	161	271	162	56	40	71	193	150	90	48	24	4	515	30 - 50
FARMER 0-S 169 SUPER *	26	260	202	162	161	271	162	56	40	71	193	150	90	-	16	4	540	30 - 50
FARMER 0-S 209	26	287	232	192	161	301	192	56	40	71	193	150	90	56	28	4	560	35 - 60
FARMER 0-S 209 SUPER *	26	287	232	192	161	301	192	56	40	71	193	150	90	-	20	4	595	35 - 60
FARMER 0-S 239	26	329	259	220	161	329	220	56	40	71	193	150	90	64	32	4	610	40 - 70

STANDARD EQUIPMENT

- PTO 540 RPM
- PTO SHAFT
- SELF LEVELLING LINK
- DOUBLE FRAME
- REAR OPENED BONNET
- FRONT SAFETY PROTECTION
- ROLLER Ø 140 mm
- HYDR. SIDE ADJUSTMENT
- HYDR. INCLINATION ADJUSTMENT
- GEARBOX W/FREE WHEEL
- SWINGING BEARING W/DOUBLE SPHERE
- LINKAGE CAT. II
- \* REINFORCED ROTOR SUPPORT
- \* REINFORCED KNIFE SUPPORT

FARMER OFF-SET 239



OPTIONAL:



DOUBLE W/CONSTANT VELOCITY JOINT



OPTIONAL:

OLEOPNEUMATIC ANTI-SHOCK DEVICE



OPTIONAL:  
LINKAGE CAT. I



OPTIONAL:  
SKIDS



OUTSIDE TRANSMISSION



FARMER OFF-SET 239



SELF LEVELLING LINK