

prestige

160 | 185 | 210 | 235 |

STOCKER-CREW

A trading division of ALVECO PTY.LTD. (ABN: 40 074 146 535)

Postal Address: PO Box 203, Warners Bay, NSW 2282






Telephone: (02) 4954 8900

Fax: (02) 4954 8902

alveco@ceinternet.com.au



USE: Suitable for cleaning quay and side of ditches.

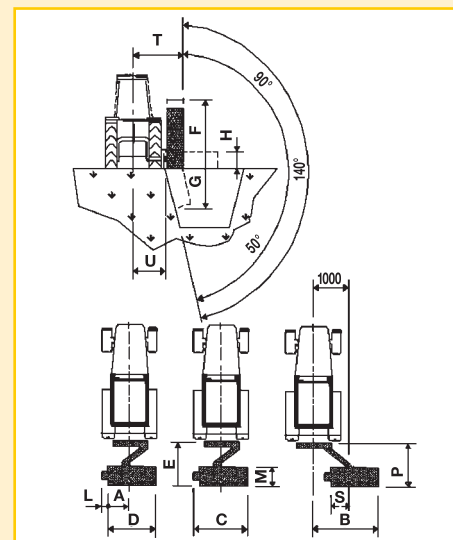
MODEL	A cm	B cm	C cm	D cm	E cm	F cm	G cm	H cm	L cm	M cm	P cm	S cm	T cm	U cm	 max Ø 4 cm	 max Ø 6/8 cm		 Kg	 min - max
PRESTIGE 160	84	220	169	156	155	248	110	57	13	85	190	36	150	90	36	12	3	770	70 - 80
PRESTIGE 185	84	250	196	183	155	275	140	57	13	85	190	36	150	90	48	16	4	800	80 - 90
PRESTIGE 210	84	266	215	200	155	295	160	57	13	85	190	36	150	90	48	16	4	840	90 - 100
PRESTIGE 235	84	293	242	229	155	322	180	57	13	85	190	36	150	90	60	20	4	870	90 - 100

STANDARD EQUIPMENT

- PTO 540 RPM
- PTO SHAFT
- MECHANICAL SAFETY AND SELF LEVELLING BREAKWAY COUPLING
- DOUBLE FRAME
- REAR OPENED BONNET
- FRONT SAFETY PROTECTION
- ROLLER Ø 195 mm
- SKIDS
- HYDR. SIDE ADJUSTMENT
- HYDR. INCLINATION ADJUSTMENT WITH SAFETY-VALVE
- GEARBOX W/FREE WHEEL
- SWINGING BEARING W/DOUBLE ROLLERS
- LINKAGE CAT.II



PRESTIGE 210



Safety and self-levelling / Breakaway coupling



PRESTIGE 160



PRESTIGE 235



ANTI-SHOCK
OLEOPNEUMATIC ANTI-SHOCK DEVICE



OPTIONAL:

OLEOPNEUMATIC ANTI-SHOCK DEVICE



OPTIONAL:
RAKES



OPTIONAL:
SPREADING VANES