

prestige off-set

PROFESSIONAL

prestige off-set




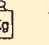

0-S 160 | 0-S 185 |
0-S 210 | 0-S 235

STOCKER-CREW

A trading division of ALVECO PTY.LTD. (ABN: 40 074 146 535)
Postal Address: PO Box 203, Warners Bay, NSW 2282
Telephone: (02) 4954 8900 Fax: (02) 4954 8902
alveco@ceinternet.com.au



USE: Suitable for cleaning quay and side of ditches.

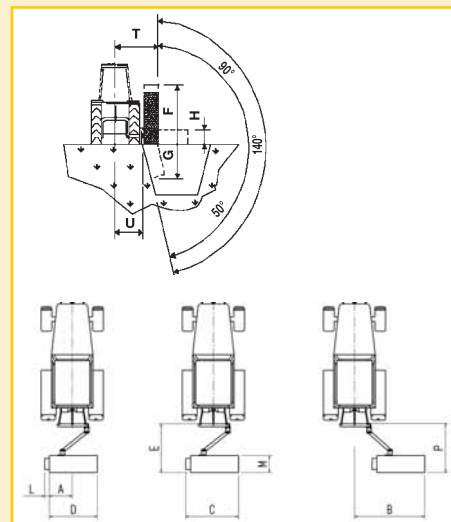
MODEL	A cm	B cm	C cm	D cm	E cm	F cm	G cm	H cm	L cm	M cm	P cm	T cm	U cm	 max Ø 4 cm	 max Ø 4/8 cm		 Kg	 min - max
PRESTIGE 0-S 160	40	260	196	156	155	275	156	57	40	85	190	150	90	36	12	3	780	70 - 80
PRESTIGE 0-S 185	40	290	223	183	155	302	183	57	40	85	190	150	90	48	16	4	810	80 - 90
PRESTIGE 0-S 210	40	306	242	200	155	322	202	57	40	85	190	150	90	48	16	4	850	90 - 100
PRESTIGE 0-S 235	40	333	269	229	155	349	229	57	40	85	190	150	90	60	20	4	870	90 - 100

STANDARD EQUIPMENT

- PTO 540 RPM
- PTO SHAFT
- MECHANICAL SAFETY AND SELF-LEVELLING/BREAKWAY COUPLING
- DOUBLE FRAME
- REAR OPENED BONNET
- FRONT SAFETY PROTECTION
- ROLLER Ø 195 mm
- SKIDS
- HYDR. SIDE ADJUSTEMENT
- HYDR. INCLINATION ADJUSTEMENT WITH SAFETY-VALVE
- GEARBOX W/FREE WHEEL
- SWINGING BEARING W/DOUBLE ROLLERS
- LINKAGE CAT. II



PRESTIGE OFF-SET



SAFETY AND SELF-LEVELLING BREAKWAY COUPLING



OLEOPNEUMATIC ANTI-SHOCK DEVICE



OPTIONAL:
OLEOPNEUMATIC ANTI-SHOCK DEVICE



OPTIONAL:
DOUBLE W/CONSTANT VELOCITY JOINT