

prestige off-set frontal

0-S Frontal 185 | 0-S Frontal 235

STOCKER-CREW

A trading division of ALVECO PTY.LTD. (ABN: 40 074 146 535)
 Postal Address: PO Box 203, Warners Bay, NSW 2282
 Telephone: (02) 4954 8900 Fax: (02) 4954 8902
 alveco@ceinternet.com.au



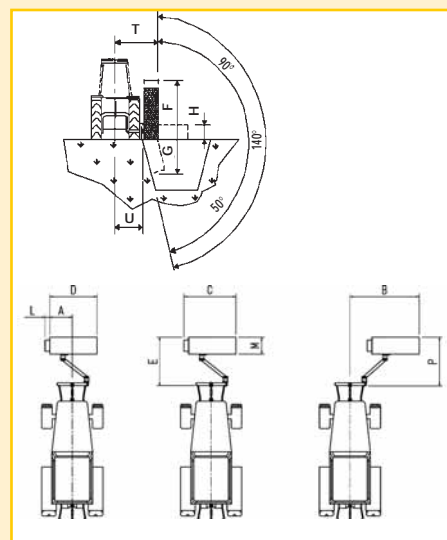
USE: Suitable for cleaning quay and side of ditches.

MODEL	A cm	B cm	C cm	D cm	E cm	F cm	G cm	H cm	L cm	M cm	P cm	T cm	U cm	max Ø 4 cm	max Ø 6/8 cm	Kg	min - max	
PRESTIGE 0-S Frontal 185	40	290	223	183	155	302	183	57	40	85	190	150	90	48	16	4	840	80 - 90
PRESTIGE 0-S Frontal 235	40	333	269	229	155	349	229	57	40	85	190	150	90	60	20	4	970	90 - 100

STANDARD EQUIPMENT

- PTO 540/1000 RPM
- PTO SHAFT
- MECHANICAL SAFETY AND SELF LEVELLING/BREAKWAY COUPLING
- DOUBLE FRAME
- FRONT SAFETY PROTECTION
- ROLLER Ø 195 mm
- SKIDS
- HYDR. SIDE ADJUSTEMENT
- HYDR. INCLINATION ADJUSTEMENT
- WITH SAFETY-VALVE
- GEARBOX W/FREE WHEEL
- SWINGING BEARING W/DOUBLE ROLLERS
- LINKAGE CAT. II

PRESTIGE OFF-SET FRONTAL

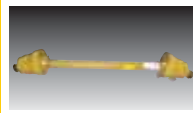


SAFETY AND SELF-LEVELLING BREAKAWAY



36°

OPTIONAL:
OLEOPNEUMATIC ANTI-SHOCK DEVICE



OPTIONAL:
DOUBLE W/CONSTANT VELOCITY JOINT